

LABORATORY & WINE INDUSTRY PRODUCTS

WINE SPITTOON

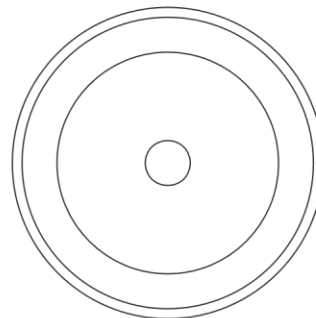
Features and benefits

- Integrated flushing rim
- Fully fabricated construction
- 316 grade stainless steel
- Easy to install
- Stylish design

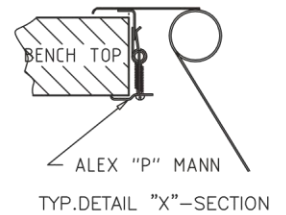
Product information

Manufactured from 1.2mm 316 stainless steel, this product is specifically developed for the wine industry. Ideal for use in wine tasting or laboratory facilities.

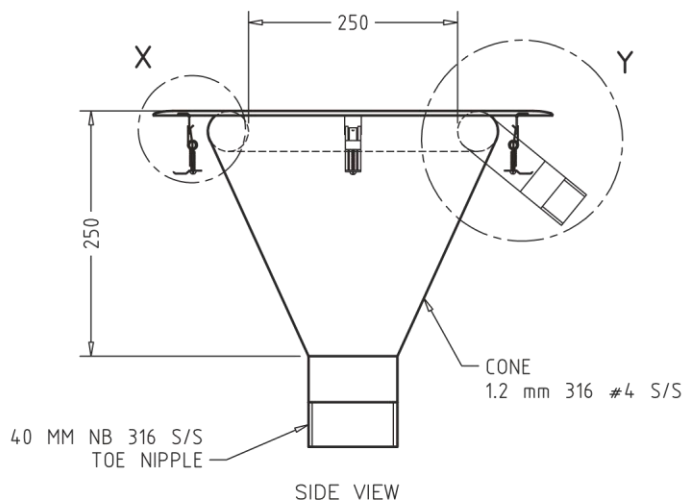
This Wine Spittoon is the market leader in tasting room products.



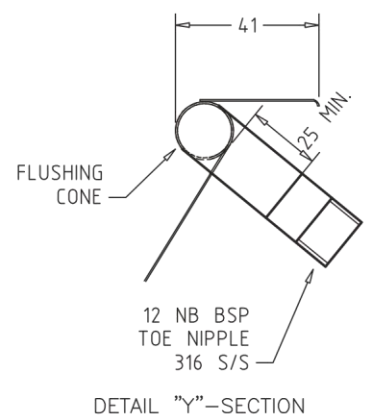
TOP VIEW



TYP.DETAIL "X"-SECTION



SIDE VIEW



DETAIL "Y"-SECTION

1/23 Pentland Road
Salisbury South SA 5106
t. 08 8250 3583
f. 08 8258 1583
info@superiorsa.com.au
www.superiorsa.com.au

SUPERIOR
stainless
THE SUPERIOR FABRICATORS